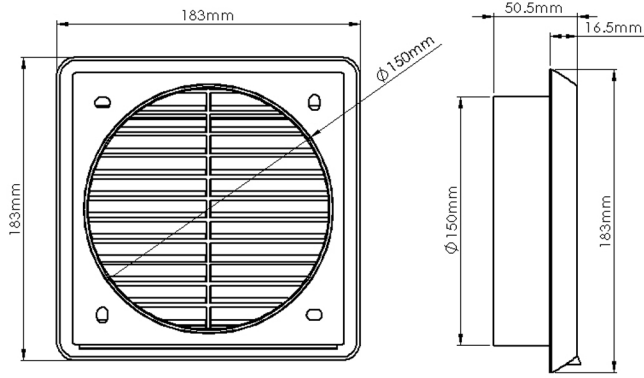


PRODUCT DATA SHEET

VKC275

LOUVRED GRILLE ROUND SPIGOT



- W** RAL9003
- B** RAL8017
- BE** RAL1001
- T** RAL2001
- BL**

MANUFACTURER:	VERPLAS LTD
PART NUMBER:	VKC275
SIZE:	150mm
FOR USE WITH:	VERPLAS SYSTEM 150
BOX QUANTITY:	40
INDIVIDUAL WEIGHT:	170g
COLOUR	White, Brown, Terracotta Beige, Black
MIN OPERATING TEMP	-15°C
MAX OPERATING TEMP	+60°C

SPECIFICATION DETAILS

The VKC275 150mm diameter Louvred Grille Round Spigot is manufactured from High Impact Polypropylene and has a minimum free area of 11,440mm². It has a male spigot for connection inside of the System 150 duct.

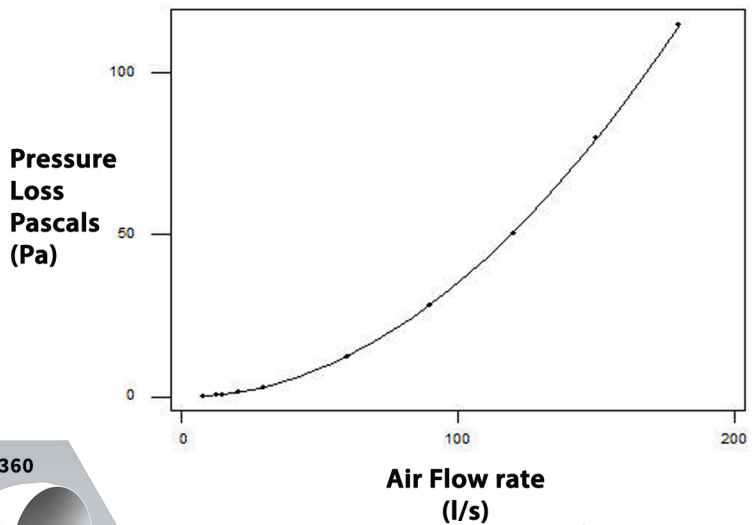
The VKC275 Louvres are designed to prevent water ingress and where possible deflect low levels of wind pressure against the fan. The Louvres should be installed pointing downwards.

VKC275 is manufactured in compliance with Domestic Plastic Ductwork Specification DW/154 and does meet UL94HB flammability standard.

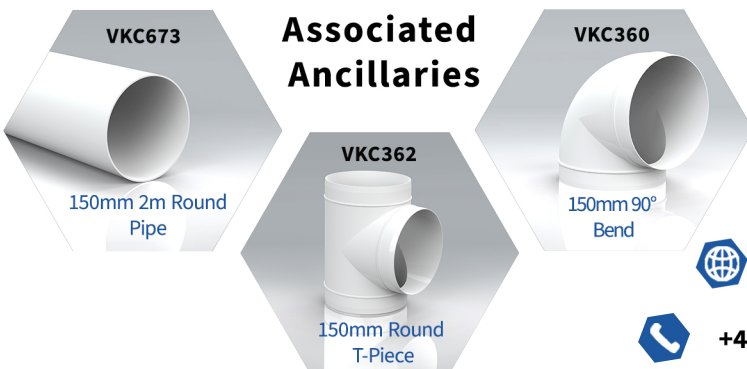
VKC275 has been designed for use with Verplas System 150 Round.

AIRFLOW	RESISTANCE
8 l/s	0.10 pa
13 l/s	0.50 pa
21 l/s	1.50 pa
30 l/s	3.00 pa
60 l/s	12.33 pa
120 l/s	50.74 pa

PERFORMANCE CURVE



View the Full Range



Sales@Verplas.co.uk

www.Verplas.co.uk

+44 (0) 1202 825898

