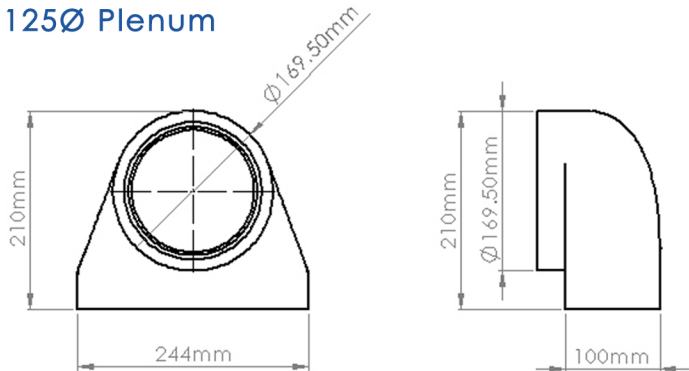
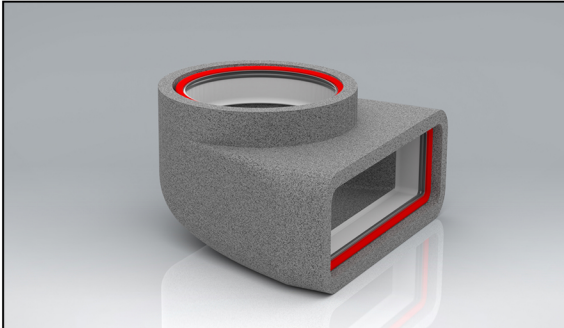


PRODUCT DATA SHEET

SST-204-PL-IND

Rapid Self-Seal Thermal 204x60mm to 125Ø Plenum



MANUFACTURER:	VERPLAS LTD
PART NUMBER:	SST-204-PL-IND
SIZE:	204x60mm
FOR USE WITH:	VERPLAS THERMAL 204
BOX QUANTITY:	6
INDIVIDUAL WEIGHT:	190g
COLOUR	Grey
MIN OPERATING TEMP	-15°C
MAX OPERATING TEMP	+60°C
THERMAL RESISTANCE	0.666 m ² K/W
THERMAL CONDUCTIVITY	0.03 W/mK

SPECIFICATION DETAILS

The Verplas Self-Seal Thermal SST-204-PL-IND insulated fitting is manufactured from graphite impregnated expanded polystyrene (EPS) with a minimum density of 25kg/m³ and provides a free area of 12,232 mm². The SST-204-PL-IND is supplied with self-seal female couplings that allow the ducting fitted with a Duct to Fitting Connector to be plugged into the fitting apertures with a push, click and lock mechanism.

The Self-Seal female couplings are manufactured from prime High Impact Polystyrene and a Thermoplastic Elastomer Dynamic Sealing Gasket.

The EPS material is fully tested to meet the thermal conductivity requirements of BASF-EN13163 to assist with the prevention of condensation and is flame retardant to DIN 4102-B1.

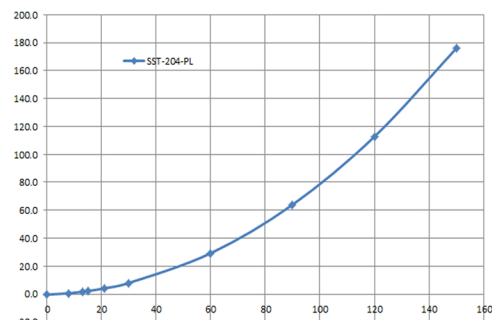
The patented push, click and lock mechanism provides a low leakage solution which exceeds the requirements set out in DW/143 Class A leakage test and DW/154 ductwork standards.

The Self-Seal Thermal is compliant with the requirements outlined in the Energy performance characteristics database for use in SAP with MVHR and MEV supply and extract ventilation systems.

AIRFLOW	RESISTANCE	
	125mm	204x60mm
8 l/s	0.50 pa	0.50 pa
13 l/s	1.50 pa	1.60 pa
21 l/s	3.90 pa	4.00 pa
30 l/s	7.70 pa	7.90 pa
60 l/s	29.20 pa	29.20 pa
120 l/s	111.80 pa	112.70 pa

PERFORMANCE CURVE

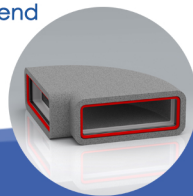
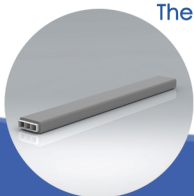
Pressure Loss Pascals (Pa)



AIRFLOW RATE (L/S)

Associated Ancillaries

- SST-204-2M-IND
204x60mm Rapid Self-Seal Thermal 2m Flat Channel
- SST-204-45VB-IND
204x60mm Rapid Thermal Self-Seal 45° Vertical Bend
- SST-204-90HB-IND
204x60mm Rapid Self-Seal 90° Horizontal Thermal Bend



Scan Here to find out how quick it is to install

