

AIR INLET

HUMIDITY CONTROLLED, ACOUSTIC

Slot size : 354 x 12 mm

anjos
inspirer le bien-être



ISOLA HY

5/45 m³/h

 QB CERTIFIED

ACOUSTIC

INSTALLATION ON WINDOWS

ISOLA HY

The air inlet ISOLA HY is used in mechanical ventilation system type hygro B (Atech ALIZÉ 2018) in association with humidity-controlled and temporized exhaust valves. .
This product matches the acoustic performances required by the new regulation NRA and provides an acoustic attenuation up to 42 dB (depending on its accessories).



IMPORTANT



- Matches the noise attenuation performances required by NRA (wall attenuation 30 dB) classe **ESA 4 (ISOLA HY)** or classe **ESA 5 (ISOLA HY RA)**
- Made in white ABS
- Other colors : beige, bronze, light oak, golden oak, dark oak, grey, dark grey, anthracite grey, black and sipo mahogany
- Can be fitted on vertical surfaces and all leaning surfaces (roof windows, under the rolling shutter case, ...)



VENTILATION HYDROREGLEABLE



PRESENTATION

The air-flow is variable from 5 to 45 m³/h according to the relative humidity in the room, and for a difference of pressure of 20 Pa.
Acoustic insulation classe ESA 4 (ISOLA HY) or ESA 5 (ISOLA HY RA)

Classe ESA 4 : $D_{n,e,w} + C_{tr} \geq 36$ dB, requested if the surface in m² of the room / number of air inlets ≥ 10 .
Classe ESA 5 : $D_{n,e,w} + C_{tr} \geq 39$ dB, requested if the surface in m² of the room / number of air inlets < 10 .

ISOLA HY RA + CFA (acoustic cover) = wall attenuation 35 dB ($D_{n,e,w}(C_{tr}) = 42$ dB)

INSIDE PART

ISOLA HY



The air inlets **ISOLA HY** are fixed on the joinery, on a slot size **354 x 12 mm**.

L. (mm)	H. (mm)	Th. (mm)
420	45	40

OUTSIDE PART

The outer covers are mounted on a slot size **354 x 12 mm**.

Installation is made on sheltered surfaces.

CE2A



The outer cover **CE2A** is made in white ABS or on request in all other colours of the range.

L. (mm)	H. (mm)	Th. (mm)
400	23	12

CFA



The acoustic outer cover **CFA** is made in white or black prepainted aluminum or in anodized aluminium.
Installation is made on sheltered surfaces.

L. (mm)	H. (mm)	Th. (mm)
390	35	45

For the sleeves or other accessories, please have a look at the technical documentation of the range M.

INSTALLATION

ISOLA HY : The base is fixed on the joinery with **3 screws**. The air inlet is simply fitted on the base.

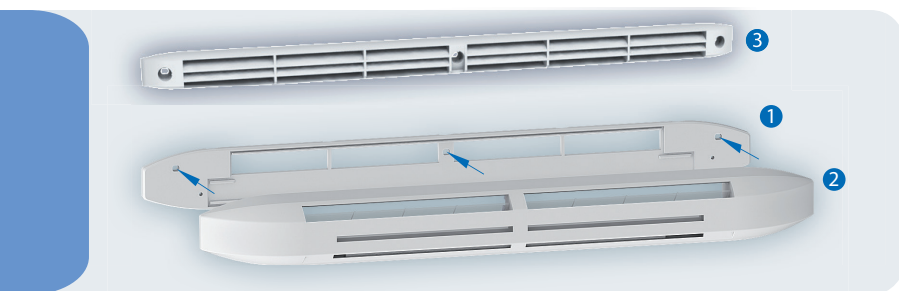
ISOLA HY RA : The acoustic extension RA is screwed on the joinery with **3 screws**, the air inlet goes fitting into it. To fix on convex joinery, use a convex base between the air-inlet and the joinery.

Outdoors, the outer cover type **CE2A** is screwed with **3 screws** on a slot of 354 x 12 mm.

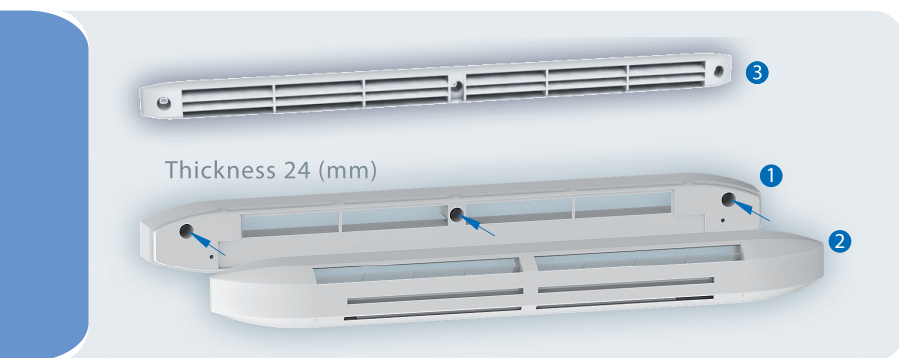
To hide the fixing screws of the cover, optional screw covers are available.

Once the cover is fixed, fit the screw covers by placing the small slot turned to the inside of the cover. The screws and screw covers are available in certain sets only (air-inlet + outer cover).

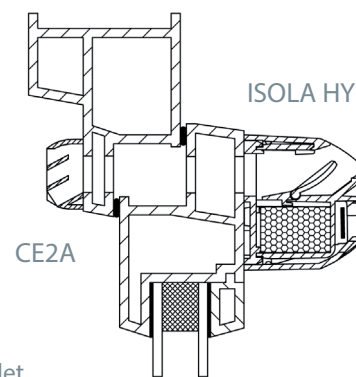
The components must remain easily accessible for maintenance.



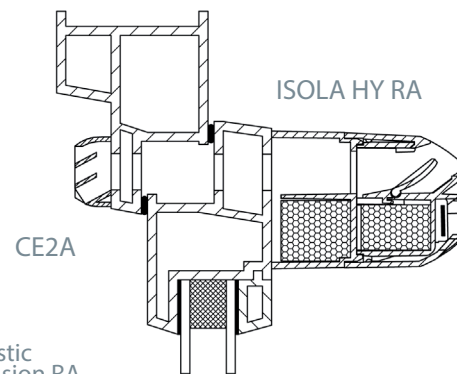
ISOLA HY



ISOLA HY RA

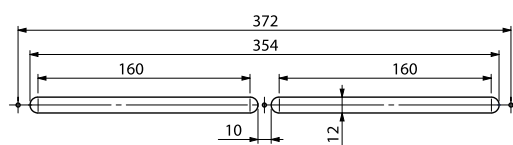


- 1 base
- 2 Air inlet
- 3 Outer cover



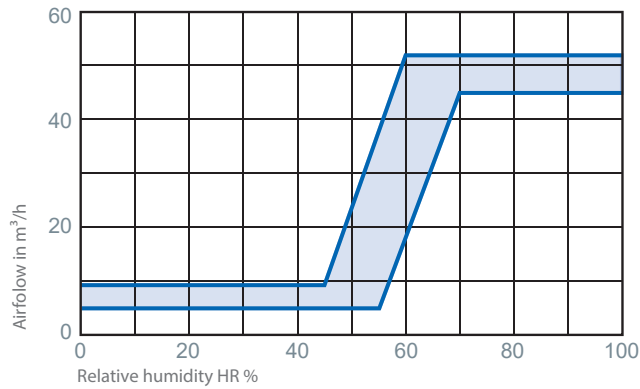
- 1 Acoustic extension RA
- 2 Air inlet
- 3 Outer cover

SLOT SIZE



CHARACTERISTICS

HUMIDITY AND AIR-FLOW



The curve opposite shows the nominal air-flow characteristics according to the humidity level in the air and for a difference of pressure of 20 Pa.

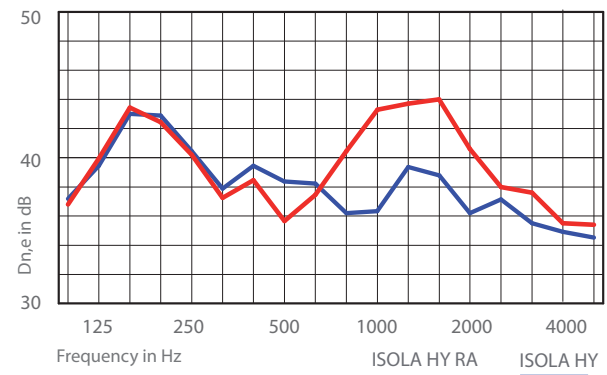
ACOUSTIC

Air inlets are characterised by their acoustic performance $D_{n,e,w}$ (Ctr).

Type	$D_{n,e,w}$ (C)	$D_{n,e,w}$ (Ctr)
ISOLA HY + CE2A*	37 dB	37 dB
ISOLA HY RA + CE2A*	39 dB	39 dB
ISOLA HY RA + CFA	42 dB	42 dB

* Same sound characteristics without outer cover CE2A.

For higher acoustic performances, the ISOLA HY can be fitted on acoustic silencers type STM, SRT+ ou SHF (Rapports d'essais CETIAT n° 21 14 236/1, 21 14 236/2 et 1014179-2).



TEST REPORTS

Technical Opinion on humidity-controlled MEV systems.

COLORS

RAL	9016	1013	8019	1011	8003	8024	7035	7011	7016	9011	8004	
	white	beige	bronze	light oak	golden oak	dark oak	grey	dark grey	anthracite grey	black	sipo	
		BE	BR	CC	CD	CF	GR	GF	G7	NO	SI	← Letters to add to the article code (ex : 0690CD)

PRODUCTS CODES

Description	Code
ISOLA HY	0690
ISOLA HY RA	0692
Acoustic extension RA for ISOLA HY	0698
Convex base for ISOLA HY (RA)	0699

Description	Code
Outer cover CE2A	0146
Acoustic outer cover CFA (white)	0195

The codes of the air inlets and CE2A cover above are for the product in white.
For other colors, add the 2 letters (shown above) to the article code.

Ex : air inlet ISOLA HY in golden oak : code 0690CD