



D SERIES SUPPLY & EXTRACT

Wide range of multipurpose wall, window, ceiling and roof extract fans with optional integrated and remote controls

INTRODUCTION

MARKET-LEADING D SERIES SUPPLY & EXTRACT

All D SERIES fans have 2 years warranty

From walls and windows to roofs and ceilings, the D SERIES fans' market-leading design suits all applications.

D SERIES fans demonstrate remarkably high performance, as the high efficiency impeller and external rotor motor outperform competitor fans, and at much lower noise levels (up to 530l/s or 1908m³/hr, from 31dBA). The fans also feature an economy speed setting, maximising performance at the lowest possible energy usage.

The DX-CON speed controller allows up to five fans (in one size) to be connected to one speed control. The control is infinitely variable, making the fan reversible for extract or for supply.

The D SERIES range offers both fan kits and individual parts to suit all application requirements; from new build, to refurbishment and replacement.

D SERIES fans also benefit from a robust construction. They are manufactured with flame retardant ABS polymer IP44, rated for long life, and can be fitted with a wide range of sensors including PIR, humidity and a run on timer. Sensors can be integral within the unit or mounted separately.

CONTENTS

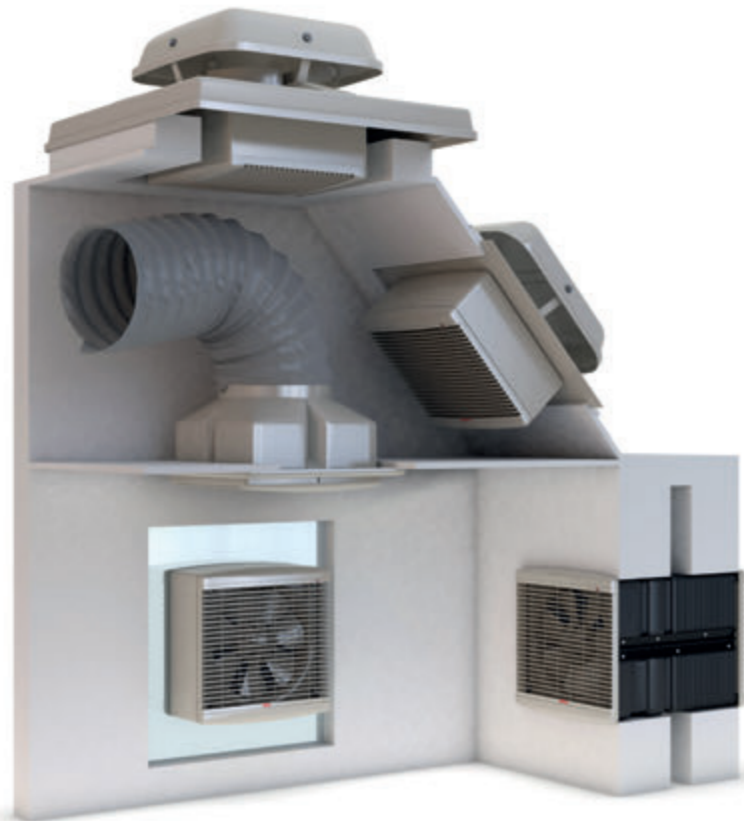
- 03 ... Introduction
- 04 ... Basic fan selection
- 06 ... Window fans
- 08 ... Pitched roof fans
- 10 ... Flat roof fans
- 12 ... Wall fans
- 14 ... Ceiling fans
- 16 ... Fan ancillaries
- 18 ... Controls
- 19 ... Wiring
- 20 ... Wiring – multiple fans
- 21 ... Consultants spec



GUIDE

BASIC FAN SELECTION

Please see the following step by step guide on how to select a fan unit. The extract rates are given as an example only, and the suitability of the product to meet all noise and building regulations for the proposed application should be confirmed. This is a basic guide and does not include selections based on specific fan power requirements under Part L of the building regulations etc.



Code breakdown

DX 6 WW
| | |
1 2 3

1. D SERIES
2. Size indication
3. Application e.g.
 WW = Window model
 WL = Wall model
 PL = Ceiling model
 PR = Pitched Roof model
 FR = Flat Roof model

Required information: Room size | Application

Air change rate guide for various applications

Application	Air changes per hour	Application	Air changes per hour
Banks	4 to 6	Kitchens – commercial	15 to 30
Cafés / coffee bars	10 to 12	Laundries	10 to 15
Cellars	3 to 10	Libraries	3 to 4
Changing rooms	6 to 10	Offices	4 to 6
Cinemas / theatres	6 to 10	Public house bars	6 to 10
Conference rooms	8 to 10	Restaurants	10 to 15
Dance halls	10 to 12	School rooms	4 to 6
Dark rooms	10 to 15	Shops / supermarkets	8 to 10
Dental surgeries	12 to 15	Showers / bathrooms	15 to 20
Entrance halls	3 to 5	Stores / warehouses	3 to 6
Factories / workshops	8 to 10	Swimming baths	15 to 20
Garages	6 to 10	Toilets – public	6 to 8
Gymnasiums	6 to 8	Utility rooms	15 to 20
Hospital wards	6 to 8		

How to calculate the required flowrate

What is the room volume m³?

- ▶ Example – 10m long x 5m wide x 2.5m high = **125m³**

What is the application?

- ▶ Example – Wall mounted in an Office. 6 air changes necessary due to size (see table above)

What is the flowrate calculation?

- ▶ Room Volume **m³** x **air change** = **750m³/h**
- ▶ To calculate the flow rate as m³/s divide your answer by 3600. Finally multiply the m³/s figure by 1000. This will leave you with your flow rate as l/s.
 e.g. **125m³ x 6 = 750m³/h**
750 ÷ 3600 = 0.208m³/s
0.208m³/s x 1000 = 208l/s

PERFORMANCE

D SERIES WINDOW (WW) FANS

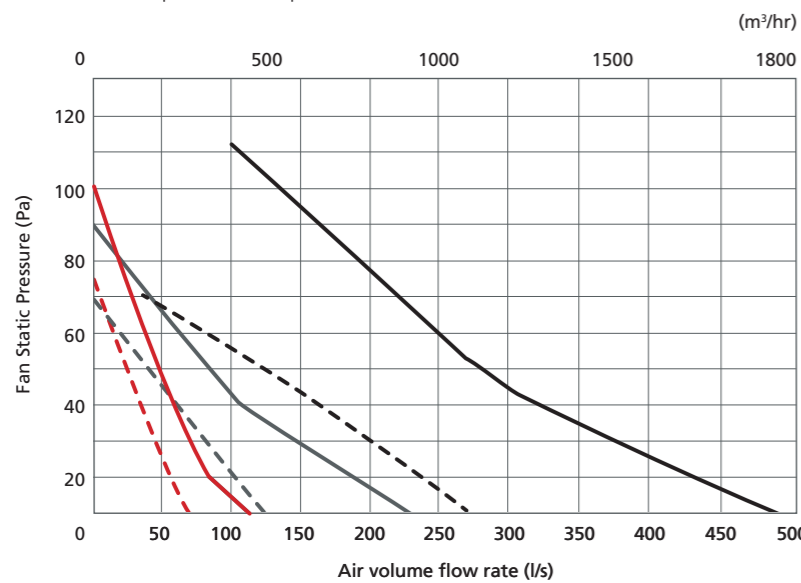
Available as kits or basic fan modules with adaptable ancillaries such as window spacers and weather terminals, our D SERIES Window fans can be part of a new install or refurbishment project.



Available in 6, 9 and 12"

D SERIES 6, 9 and 12 inch Window Fans

Performance represents complete fan kit



Electrical and sound

Code	Noise/sound levels (dBA @ 3m)				Input power (watts)	
	Extract	Extract economy	Supply	Supply economy	Standard	Economy
DX6WW	42	31	43	32	38	20
DX9WW	41	30	43	32	50	37
DX12WW	47	36	48	37	100	70

External Static Pressure (Pa)

DX6WW Extract	0	20	40	60
Air Flowrate (l/s)	121	79	52	34
Input Power (W)	42	43	46	48
SFP (W/l/s)	0.3	0.6	0.9	1.4

DX9WW Extract	0	20	40	60
Air Flowrate (l/s)	226	160	103	61
Input Power (W)	54	54	57	62
SFP (W/l/s)	0.2	0.3	0.6	1

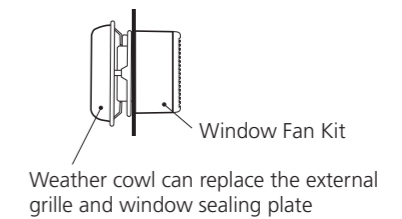
DX12WW Extract	0	20	40	60
Air Flowrate (l/s)	498	413	317	250
Input Power (W)	110	110	113	117
SFP (W/l/s)	0.2	0.3	0.4	0.5

D SERIES Window (WW) fan kits

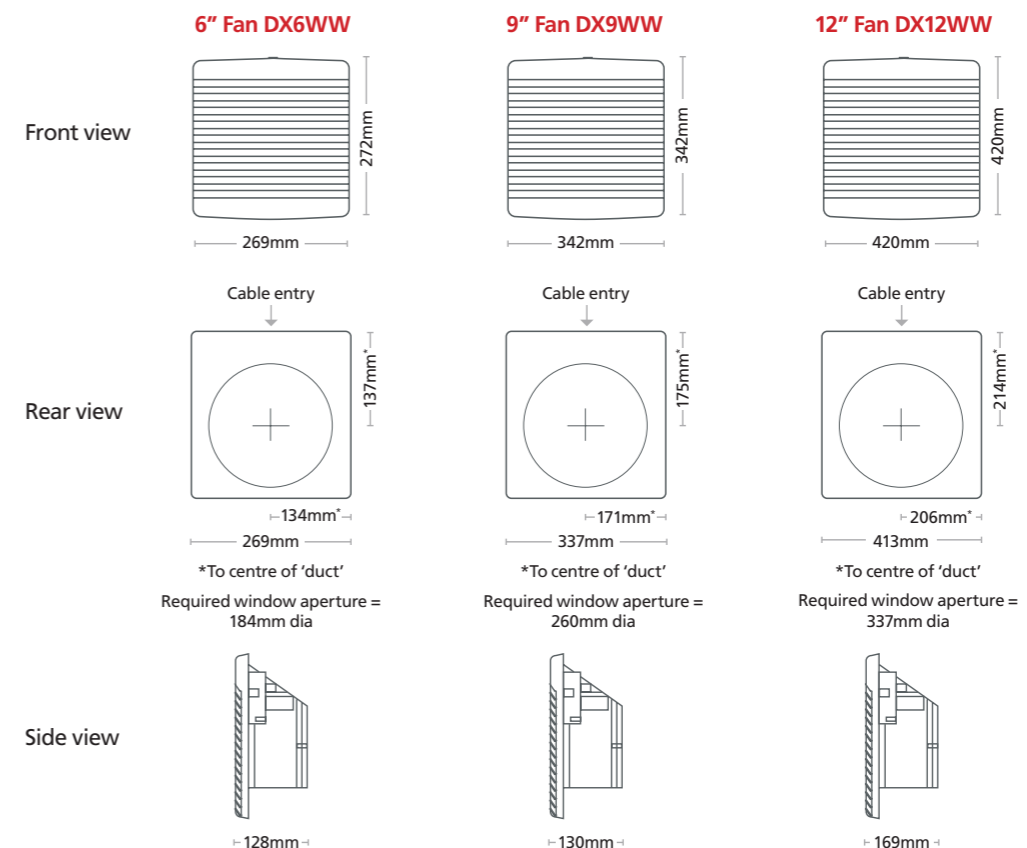


Typical installation

Exposed site window installation (use with Window Fan Kit)



Dimensions



PERFORMANCE

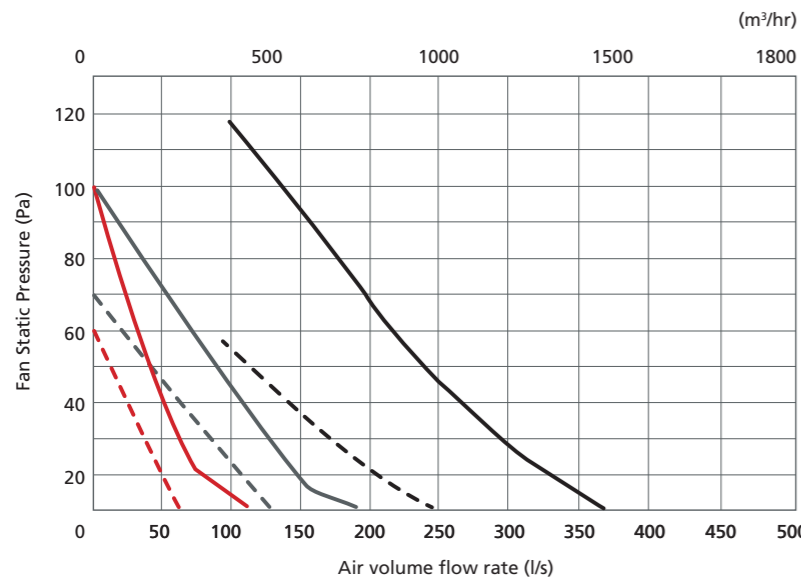
D SERIES PITCHED ROOF (PR) FANS

The low profile Pitched Roof kits are designed to be installed on angular roofs and suitable for all weather exposure.



D SERIES 6, 9 and 12 inch Pitched Roof Fans

Performance represents complete fan kit



Available in 6, 9 and 12"

- 6PR supply
- 6PR extract
- 9PR supply
- 9PR extract
- 12PR supply
- 12PR extract

Electrical and sound

Code	Noise/sound levels (dBA @ 3m)				Input power (watts)	
	Extract	Extract economy	Supply	Supply economy	Standard	Economy
DX6PR	42	31	45	34	38	38
DX9PR	41	30	43	32	50	37
DX12PR	49	38	48	37	100	70

External Static Pressure (Pa)

DX6PR Extract	0	20	40	60
Air Flowrate (l/s)	112	74	51	36
Input Power (W)	42	43	46	48
SFP (W/l/s)	0.4	0.6	0.9	1.3

DX9PR Extract	0	20	40	60
Air Flowrate (l/s)	180	133	100	70
Input Power (W)	54	55	58	61
SFP (W/l/s)	0.3	0.4	0.6	0.9

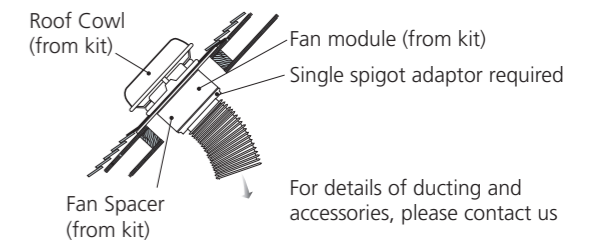
DX12PR Extract	0	20	40	60
Air Flowrate (l/s)	358	305	258	214
Input Power (W)	107	109	111	113
SFP (W/l/s)	0.3	0.4	0.4	0.5

D SERIES Pitched Roof (PR) fan kits



Typical installation

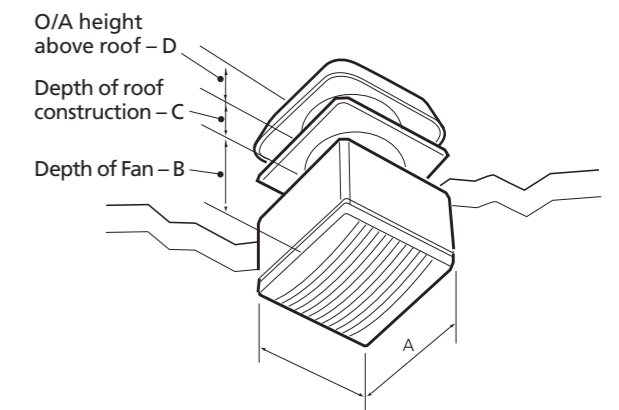
Pitched roof (ducted to ceiling) installation (use with Pitched Roof Fan Kit)



Dimensions (mm)

D SERIES	6	9	12
A x A	272x272	342x342	420x420
B	161	158	172
C	150	150	150
D	170	180	185
kg	6.3	9.1	11.8

A = Opening size, B = Overall size



PERFORMANCE

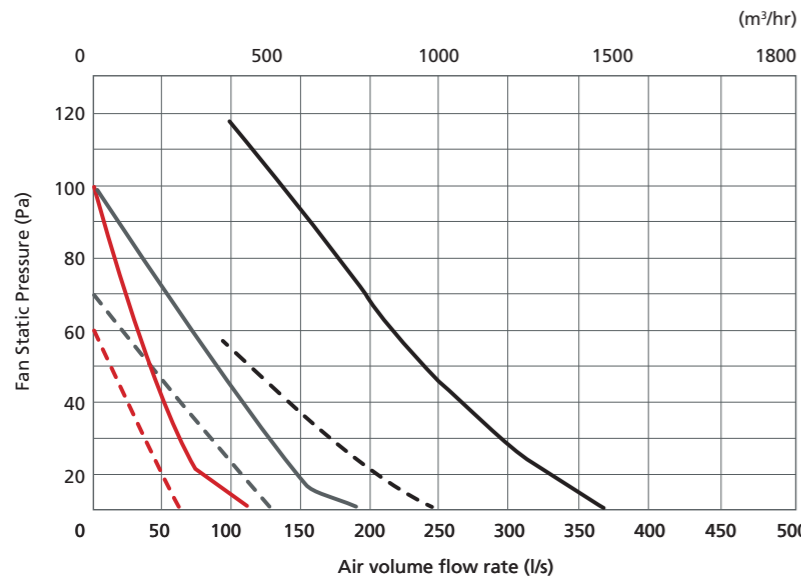
D SERIES FLAT ROOF (FR) FANS



Complimenting the Pitched Roof offering, these fan kits ensure the D SERIES portfolio is comprehensive and practical in application.

D SERIES 6, 9 and 12 inch Flat Roof Fans

Performance represents complete fan kit



Available in 6, 9 and 12"

- 6FR supply
- 6FR extract
- 9FR supply
- 9FR extract
- 12FR supply
- 12FR extract

Electrical and sound

Code	Noise/sound levels (dBA @ 3m)				Input power (watts)	
	Extract	Extract economy	Supply	Supply economy	Standard	Economy
DX6FR	42	31	45	34	38	38
DX9FR	41	30	43	32	50	37
DX12FR	49	38	48	37	100	70

External Static Pressure (Pa)

DX6FR Extract	0	20	40	60
Air Flowrate (l/s)	112	74	51	36
Input Power (W)	42	43	46	48
SFP (W/l/s)	0.4	0.6	0.9	1.3

DX9FR Extract	0	20	40	60
Air Flowrate (l/s)	180	133	100	70
Input Power (W)	54	55	58	61
SFP (W/l/s)	0.3	0.4	0.6	0.9

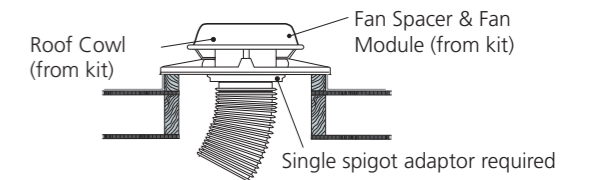
DX12FR Extract	0	20	40	60
Air Flowrate (l/s)	358	305	258	214
Input Power (W)	107	109	111	113
SFP (W/l/s)	0.3	0.4	0.4	0.5

D SERIES Flat Roof (FR) fan kits



Typical installation

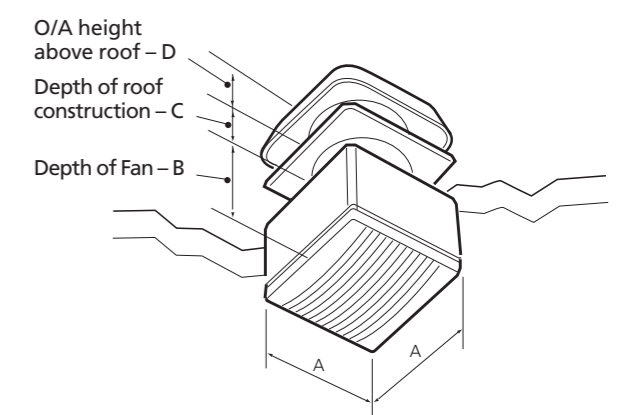
Flat roof (ducted to ceiling) installation (use with Ceiling Fan Kit)



Dimensions (mm)

D SERIES	6	9	12
A x A	272x272	342x342	420x420
B	161	158	172
C	150	150	150
D	170	180	185
kg	6.3	9.1	11.8

A = Opening size, B = Overall size



PERFORMANCE

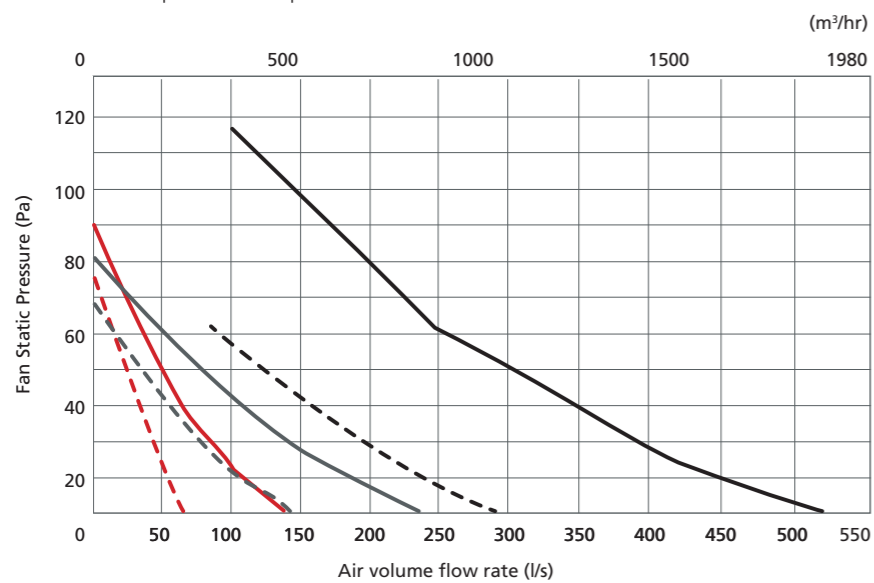
D SERIES WALL (WL) FANS

An ultra quiet wax thermo actuator combines with highly innovative motor and impeller technology to produce one of the quietest wall fans available.



D SERIES 6, 9 and 12 inch Wall Fans

Performance represents complete fan kit



Available in 6, 9 and 12"

- 6WL supply
- 6WL extract
- 9WL supply
- 9WL extract
- 12WL supply
- 12WL extract

Electrical and sound

Code	Noise/sound levels (dBA @ 3m)				Input power (watts)	
	Extract	Extract economy	Supply	Supply economy	Standard	Economy
DX6WL	42	31	45	34	38	20
DX9WL	45	34	45	34	50	37
DX12WL	47	36	47	36	100	70

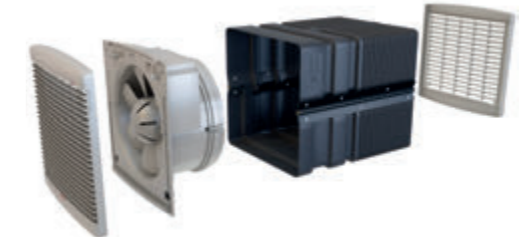
External Static Pressure (Pa)

DX6WL Extract	0	20	40	60
Air Flowrate (l/s)	131	110	65	38
Input Power (W)	42	42	44	48
SFP (W/l/s)	0.3	0.4	0.7	1.3

DX9WL Extract	0	20	40	60
Air Flowrate (l/s)	236	180	105	60
Input Power (W)	54	54	57	62
SFP (W/l/s)	0.2	0.3	0.5	1

DX12WL Extract	0	20	40	60
Air Flowrate (l/s)	530	465	344	265
Input Power (W)	111	110	112	116
SFP (W/l/s)	0.2	0.2	0.3	0.4

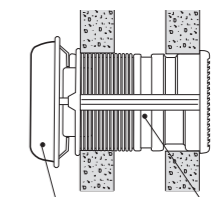
D SERIES Wall (WL) fan kits



Internal Grille Fan Module Adjustable Wall Sleeve External Grille

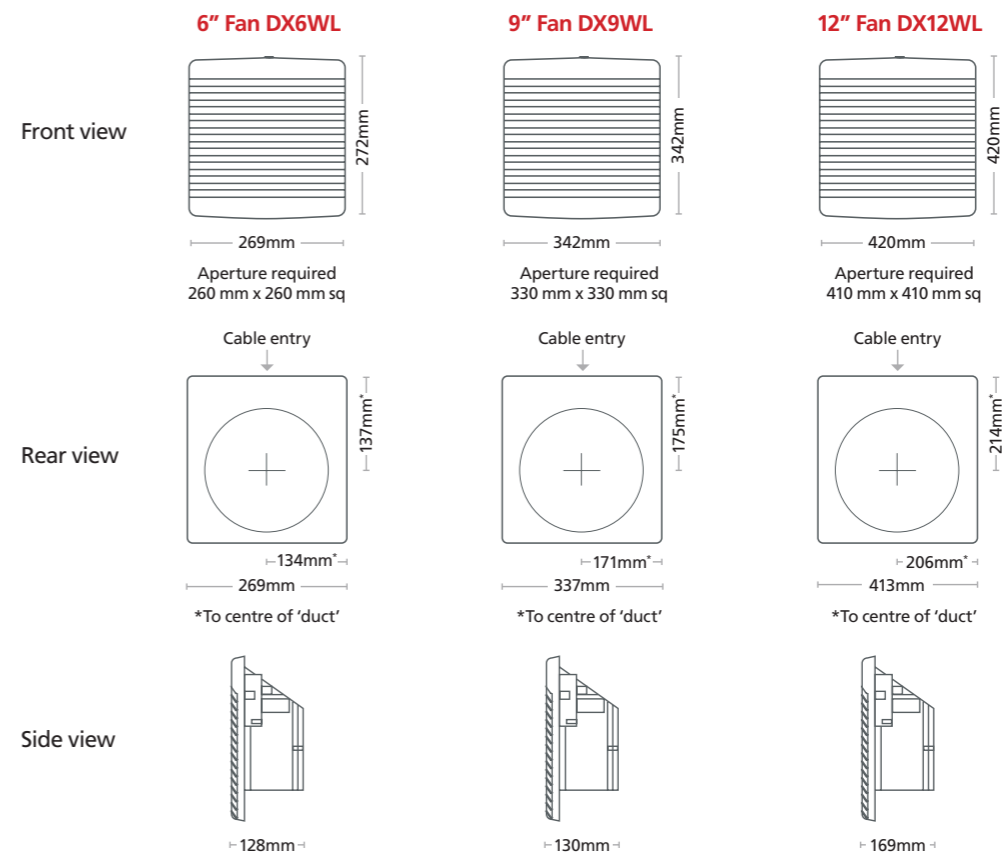
Typical installation

Exposed site wall installation (use with Wall Fan Kit)



Weather cowl can replace the external grille Wall Fan Kit

Dimensions



PERFORMANCE

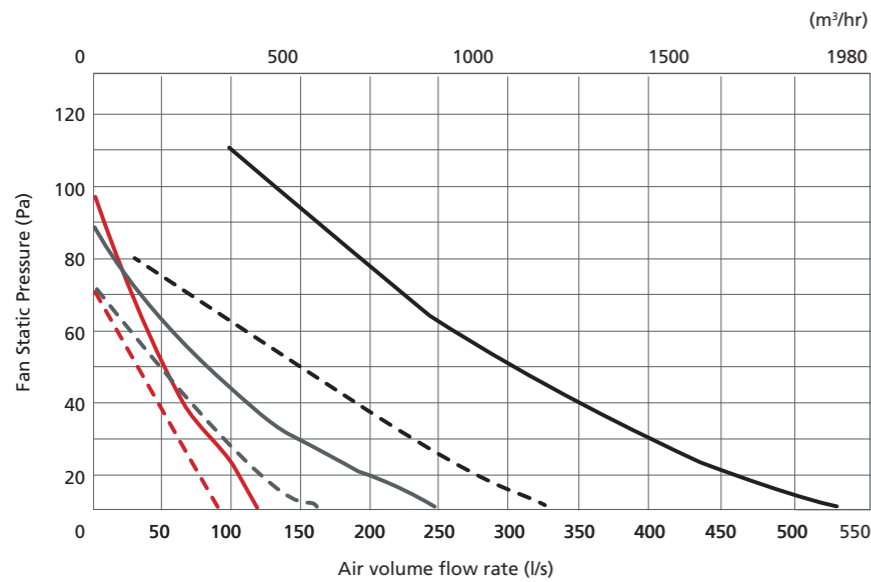
D SERIES CEILING (PL) FANS

A discreet design, suitable for solid or panel ceilings. These fans can be installed with our Roof or Weather Terminals, allowing optional exhaust points for flexible application.



D SERIES 6, 9 and 12 inch Ceiling Fans

Performance represents complete fan kit



Available in 6, 9 and 12"

Electrical and sound

Code	Noise/sound levels (dBA @ 3m)				Input power (watts)	
	Extract	Extract economy	Supply	Supply economy	Standard	Economy
DX6PL	42	31	45	35	38	20
DX9PL	41	30	43	32	50	37
DX12PL	49	38	48	37	100	70

External Static Pressure (Pa)

DX6PL Extract	0	20	40	60
Air Flowrate (l/s)	119	76	50	32
Input Power (W)	42	43	46	49
SFP (W/l/s)	0.4	0.6	0.9	1.5

DX9PL Extract	0	20	40	60
Air Flowrate (l/s)	247	196	110	60
Input Power (W)	55	54	57	62
SFP (W/l/s)	0.2	0.3	0.5	1

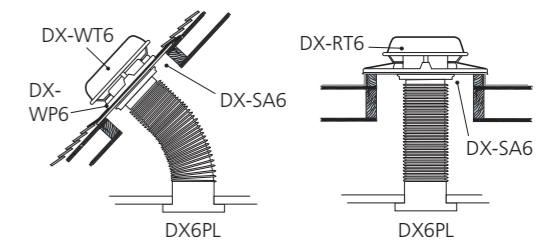
DX12PL Extract	0	20	40	60
Air Flowrate (l/s)	544	472	329	260
Input Power (W)	111	110	113	116
SFP (W/l/s)	0.2	0.2	0.3	0.4

D SERIES Ceiling (PL) fan kits

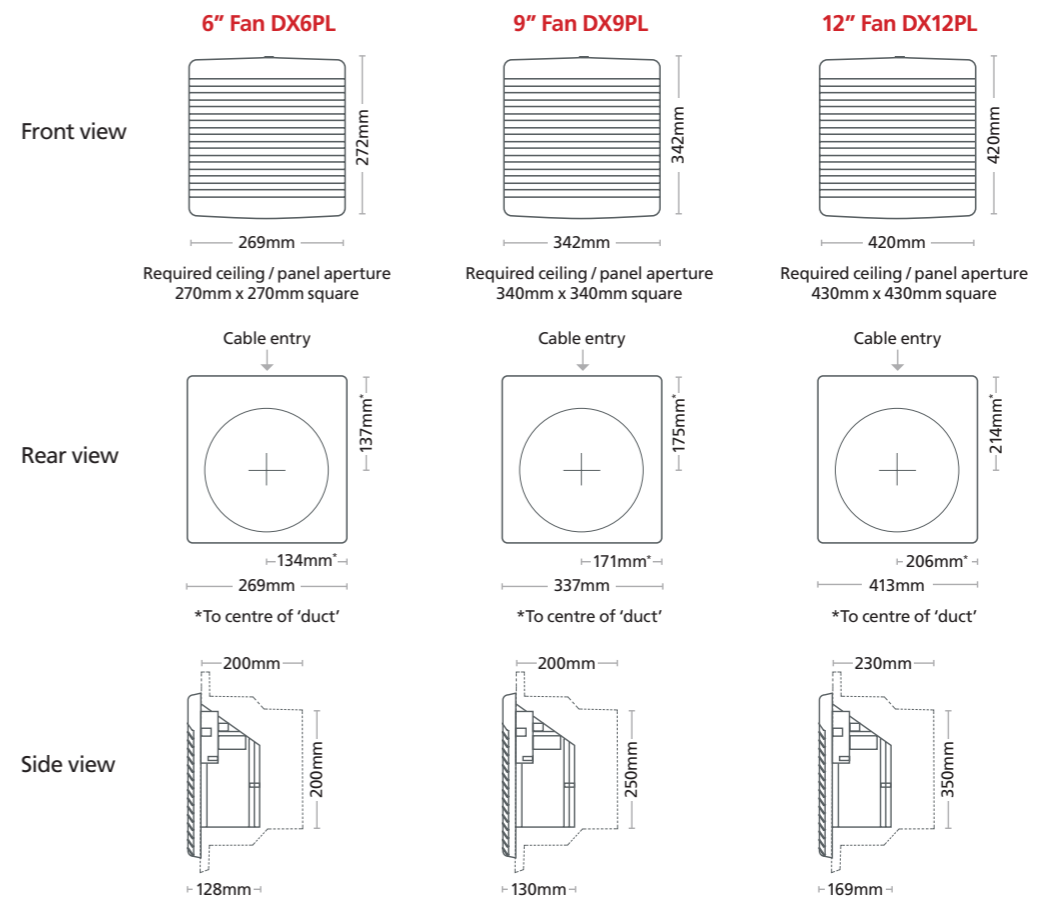


Typical installation

Exposed site wall installation (use with Wall Fan Kit)



Dimensions



FAN ANCILLARIES

Unit size	Speed control	Integral sensors			Remote sensors
		PIR	Humidistat	Timer	Humidistat
Description	With Economy 50% setting, extract and supply on/off switch.	Passive InfraRed technology to detect movement. Complete with run-on timer 2-40 mins	Relative Humidity setting between 30-90%. Complete with run-on timer 2-40 mins.	Run-on timer 2-40 mins	Relative Humidity setting between 30-90%. Complete with run-on timer 2-40 mins.
Wall					
6	DX-CON	DX-PIR6	DX-H6	DX-T6	DX-RH
9	DX-CON	DX-PIR9	DX-H9	DX-T9	DX-RH
12	DX-CON	DX-PIR12	DX-H12	DX-T12	DX-RH
Window					
6	DX-CON	DX-PIR6	DX-H6	DX-T6	DX-RH
9	DX-CON	DX-PIR9	DX-H9	DX-T9	DX-RH
12	DX-CON	DX-PIR12	DX-H12	DX-T12	DX-RH
Ceiling					
6	DX-CON	DX-PIR6	DX-H6	DX-T6	DX-RH
9	DX-CON	DX-PIR9	DX-H9	DX-T9	DX-RH
12	DX-CON	DX-PIR12	DX-H12	DX-T12	DX-RH
Flat Roof					
6	DX-CON	DX-PIR6	DX-H6	DX-T6	DX-RH
9	DX-CON	DX-PIR9	DX-H9	DX-T9	DX-RH
12	DX-CON	DX-PIR12	DX-H12	DX-T12	DX-RH
Pitch Roof					
6	DX-CON	DX-PIR6	DX-H6	DX-T6	DX-RH
9	DX-CON	DX-PIR9	DX-H9	DX-T9	DX-RH
12	DX-CON	DX-PIR12	DX-H12	DX-T12	DX-RH

Note:

- ▶ Up to 5 fans (size 6"/9") can be controlled by one DX-CON. Up to 2 fans (size 12") can be controlled by one DX-CON.
- ▶ Do not mix different fans sizes on the same controller.



Basic fan unit	Window spacer	Single spigot adaptor	Weather terminal	Roof terminal	Wall fixing plate	Picture frame adaptor	Wall Duct Liner	Louvered Grille
Fan module, internal grille	Used for exposed site installation 1 spacer. Use with weather terminals.	For ducted systems. To be mounted onto front of DX-WS.	For exposed window installations. Use with DX-WS.	Suitable for flat roof only. No fan included	Used for timber and thin walls, pitched roof and above ceiling. One fixing plate. Used with window kits spacers &/or weather terminals.	For panel, ceiling or retro installations where uneven walls need to be fixed.	Wall duct liner	Fixed blade external louvred grille
Wall cont.								
DX6	DX-WS6	DX-SA6	DX-WT6	N/A	N/A	DX-PF6	DX-WD6	DX-LG6
DX9	DX-WS9	DX-SA9	DX-WT9	N/A	N/A	DX-PF9	DX-WD9	DX-LG9
DX12	DX-WS12	DX-SA12	DX-WT12	N/A	N/A	DX-PF12	DX-WD12	DX-LG12
Window cont.								
DX6	DX-WS6	DX-SA6	DX-WT6	N/A	DX-WP6	N/A	N/A	DX-LG6
DX9	DX-WS9	DX-SA9	DX-WT9	N/A	DX-WP9	N/A	N/A	DX-LG9
DX12	DX-WS12	DX-SA12	DX-WT12	N/A	DX-WP12	N/A	N/A	DX-LG12
Ceiling cont.								
DX6	N/A	DX-SA6	DX-WT6	DX-RT6	DX-WP6	DX-PF6	N/A	N/A
DX9	N/A	DX-SA9	DX-WT9	DX-RT9	DX-WP9	DX-PF9	N/A	N/A
DX12	N/A	DX-SA12	DX-WT12	DX-RT12	DX-WP12	DX-PF12	N/A	N/A
Flat Roof cont.								
DX6	N/A	DX-SA6	N/A	DX-RT6	DX-WP6	DX-PF6	N/A	N/A
DX9	N/A	DX-SA9	N/A	DX-RT9	DX-WP9	DX-PF9	N/A	N/A
DX12	N/A	DX-SA12	N/A	DX-RT12	DX-WP12	DX-PF12	N/A	N/A
Pitch Roof cont.								
DX6	N/A	DX-SA6	DX-WT6	N/A	DX-WP6	DX-PF6	N/A	N/A
DX9	N/A	DX-SA9	DX-WT9	N/A	DX-WP9	DX-PF9	N/A	N/A
DX12	N/A	DX-SA12	DX-WT12	N/A	DX-WP12	DX-PF12	N/A	N/A

D SERIES CONTROLS



Multi-fan control

Fitting Remote Controller DX-CON or Remote Sensors (optional)

The DX-CON Multi Fan Control provides supply or extract, variable speed and automatic or manual switching of several fans if desired.

The DX-CON should be positioned at least 1.5m above the floor and away from direct heat sources e.g. radiators.

NOTE:

- ▶ Up to 5 fans (size 6"/9") can be controlled by one DX-CON.
- ▶ Up to 2 fans (size 12") can be controlled by one DX-CON.
- ▶ Do not mix different fans sizes on the same controller.

Code	Description	Length (mm)	Depth (mm)	Height (mm)
DX-CON	Multi Fan Remote Control	153	60	87

Speed Control – with "Economy" (50%) setting, extract and supply, on/off switches.

Typical code: DX-CON

NOTE:

If 2 x 12 inch fans or 5 x 6 or 9 inch fans are used in the same operating mode in the same room they should all be controlled from the same DX-CON speed control. This avoids the possibility of one fan (if speed controlled at a lower flow rate) being stalled by the other fan(s). Adequate make-up air provision sufficient to provide ventilation in accordance with building regulations is required in all rooms. This should be checked during commissioning with all fans in the same room running together in all possible configurations.

The automatic shutters, motor bearings should be frequently inspected and maintained to ensure they open fully/operate satisfactorily.

Use of an RCD and fused spur with 1A, Bussmann TDC180, BS1362, fuse (Farnell order no: 1123029) for 1 fan or 2A, Bussmann TDC 180, BS1362 fuse (Farnell order no: 1123032) for 2 or 3 fans is recommended. Always confirm airflow direction before commissioning.

Integral sensors

Fan size	PIR	Humidistat	Timer
6	DX-PIR6	DX-H6	DX-T6
9	DX-PIR9	DX-H9	DX-T9
12	DX-PIR12	DX-H12	DX-T12



Remote sensors

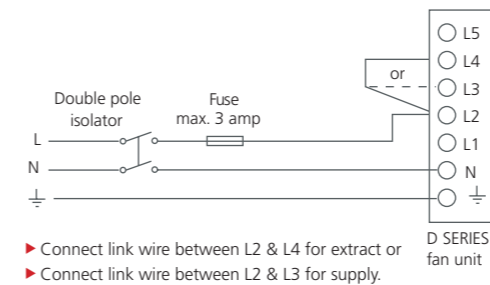
Fan size	Humidistat
6	DX-RH
9	DX-RH
12	DX-RH

The DX-RH remote humidity sensor should be positioned at least 1.5m above the floor and away from direct heat sources e.g. radiators.



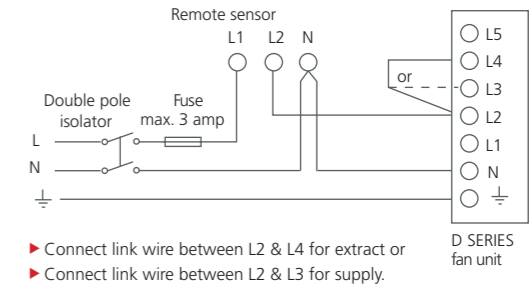
WIRING

Fan operated by On/Off switch



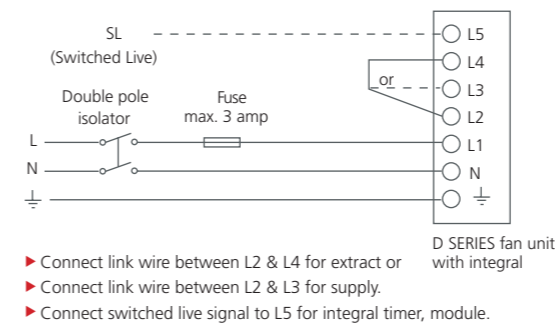
- ▶ Connect link wire between L2 & L4 for extract or
- ▶ Connect link wire between L2 & L3 for supply.

Basic fan operated by Remote Sensor



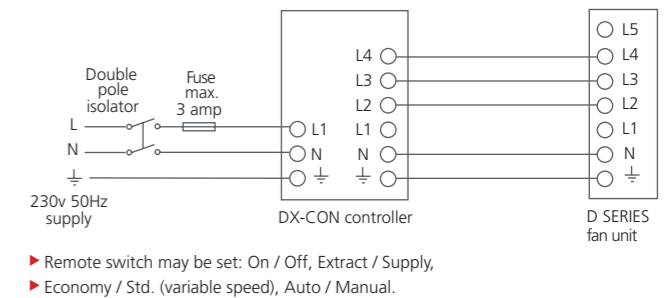
- ▶ Connect link wire between L2 & L4 for extract or
- ▶ Connect link wire between L2 & L3 for supply.

Fan operated by Integral Sensor



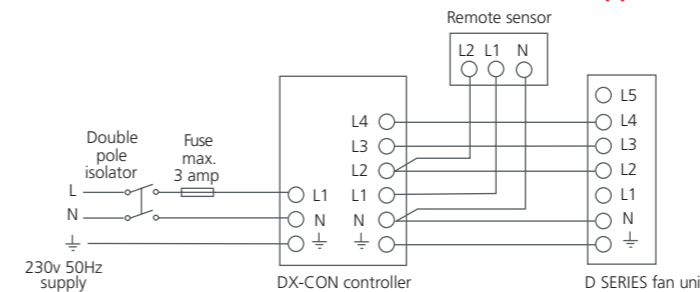
- ▶ Connect link wire between L2 & L4 for extract or
- ▶ Connect link wire between L2 & L3 for supply.
- ▶ Connect switched live signal to L5 for integral timer, module.

Supply / extract fan operated via Remote DX-CON Control



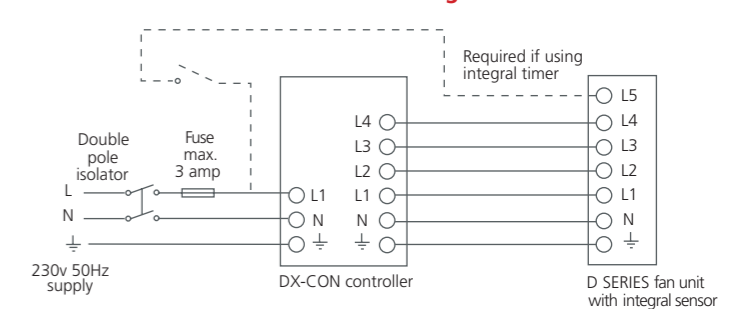
- ▶ Remote switch may be set: On / Off, Extract / Supply,
- ▶ Economy / Std. (variable speed), Auto / Manual.

Supply / extract fan operated via Remote DX-CON Control & Remote Sensor(s)



- ▶ Remote switch may be set: On / Off, Extract / Supply, Economy / Std. (variable speed), Auto / Manual.
 - ▶ One or more Remote Sensors may be wired in parallel to one DX-CON Control.
- Note: Multi-fan options:**
- ▶ Up to 5 fans (size 6" / 9") can be controlled by one DX-CON. Up to 2 fans (size 12") can be controlled by one DX-CON. Do not mix different fan sizes on the same controller.

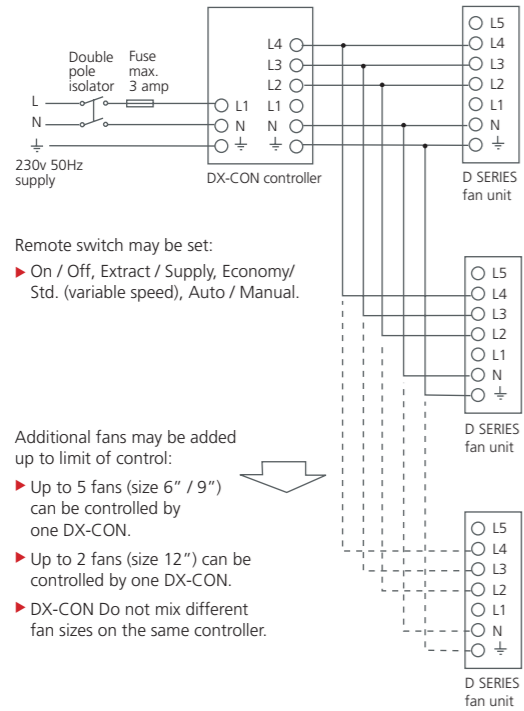
Supply / extract fan operated via Remote DX-CON Control and Integral Sensor



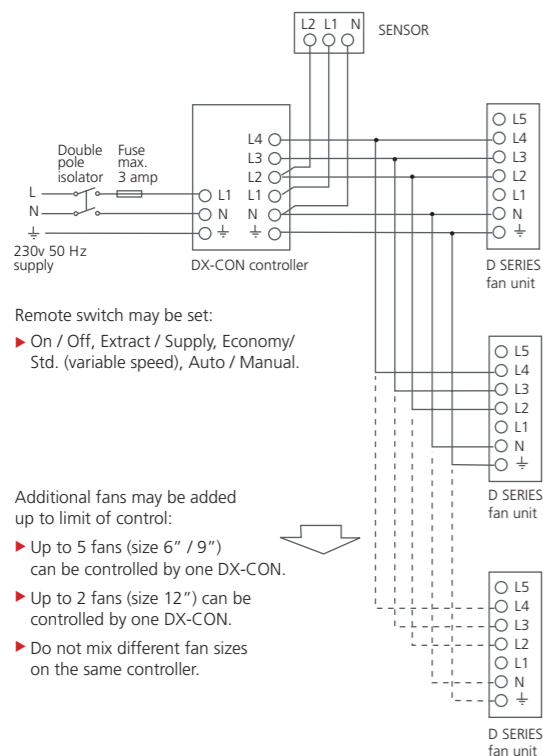
- ▶ Remote switch may be set: On / Off, Extract / Supply, Economy / Std. (variable speed), Auto / Manual.
- ▶ Maximum one Integral Sensor per fan 6/9/12 denotes unit size identity.
- ▶ Humidity Sensor: DX-H6/9/12,
- ▶ Passive Infra Red Sensor: DX-PIR6/9/12,
- ▶ Run on Timer: DX-T6/9/12.
- ▶ A single sensor will switch all fans if more than one fan is being operated by a single DX-CON controller.

WIRING – MULTIPLE FANS

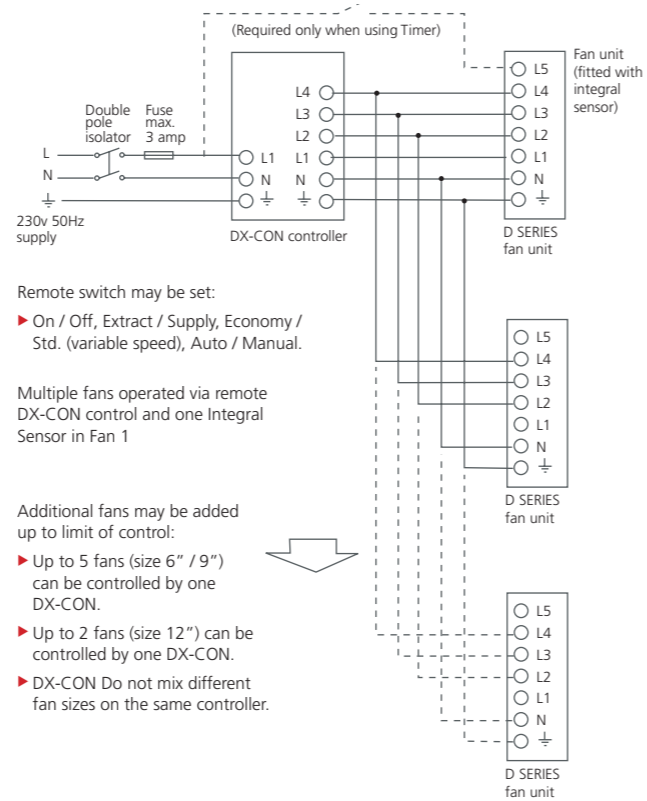
Multiple fans operated via remote DX-CON control



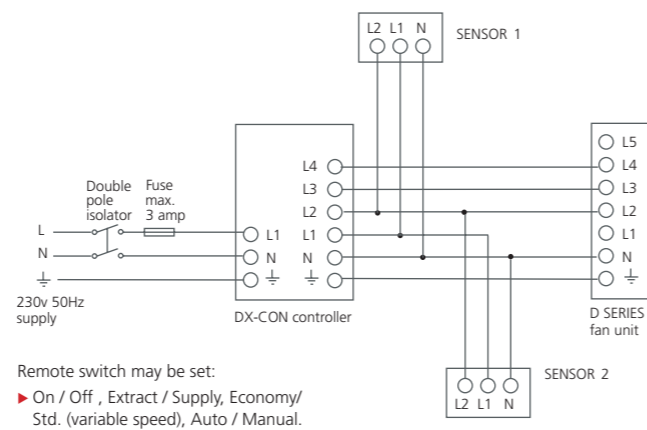
Multiple fans operated via remote DX-CON control and a Remote Sensor



Multiple fans operated via remote DX-CON control and one Integral Sensor in Fan 1



Fan operated using remote DX-CON control and a Multiple Remote Sensor



CONSULTANT SPECIFICATION

Fan description

Fans shall be located in the positions indicated on the drawings and in accordance with the relevant fan schedule.

The fan shall be of the D SERIES type and shall be supplied complete with integrated low loss radial backdraught shutter, silent operation via a thermo actuator, room side grille, connection kit and external louvre/roof cowl to suit the particular application.

The high efficiency, low noise axial flow impeller shall be directly driven by an external rotor motor featuring enclosure protection to IP 44, class B winding insulation and maintenance free ball bearings.

All models shall be suitable for air over motor temperatures of up to 60°C and 95% R.H (non-condensing). The motor and impeller shall be dynamically balanced as an assembly.

Fan casing, impeller and shutter shall be manufactured from UV stabilised ABS polymer. All models shall include an economy/high efficiency setting facility and are dove grey in colour.

The fan shall be provided complete with integrated or remote controls as detailed in the schedule and as described below.

Where indicated the fans shall be interlinked and controlled from 1No. DX-CON (up to 5 fans in sizes 6 & 9, up to 2 fans size 12).

Fans shall be reversible via reversing switch on DX-CON fan controller.

Fan to have a manufacturers 2 year warranty.

Fan to be of the D SERIES type as manufactured by Domus Ventilation.

Fan control option

The fan shall be provided with either an integrated sensor to activate the fan or, one of the remote options.

Integrated control options:

- ▶ DX-T(size) Run-on timer, adjustable between 2-40 minutes
- ▶ DX-H(size) Humidity sensor (30-90%). Includes run-on timer 2-40 minutes
- ▶ DX-PIR(size) PIR sensor, includes run-on timer 2-40 minutes.

Remote control options:

- ▶ DX-RH Humidity sensor 30-90%. Includes run-on timer 2-40 minutes
- ▶ Anti-tamper security strap
- ▶ DX-CON controller incorporating economy switch, reversing switch and rotary speed control.

Where indicated the fans shall be interlinked and controlled from 1No. DX-CON (up to 5 fans in sizes 6 & 9, up to 2 fans size 12).

Do not mix different fan sizes with same controller.

Fan, integrated controls or associated sensors/controllers shall be as manufactured by Domus Ventilation all with a 2 year warranty.

The manufacturer's recommendations should be observed at all times.

DEDICATED TO PROVIDING:

- ▶ Trade support
- ▶ Free design service
- ▶ Online support
- ▶ Nationwide availability



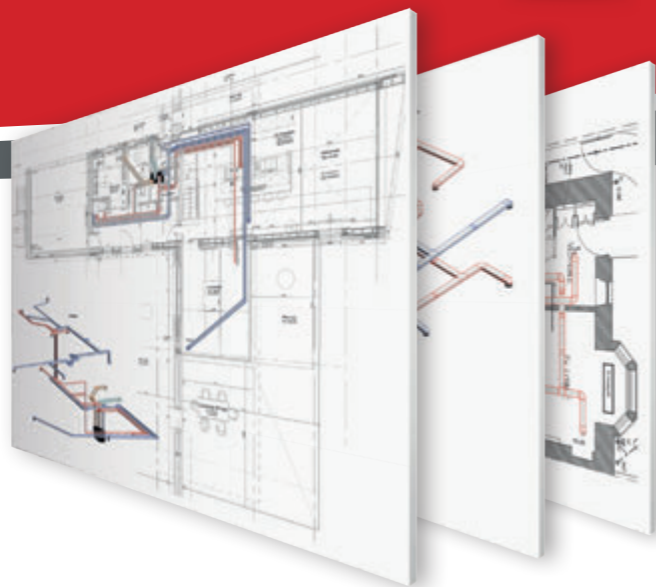
FREE OF CHARGE DESIGN SERVICE

Contact Domus Ventilation
for more information

Tel: 03443 715 523

Email: vent.projects@domusventilation.co.uk

www.domusventilation.co.uk



©2018 Domus Ventilation

All product images are the copyright of Domus Ventilation and are not for reproduction without permission.

E & OE - we reserve the right to alter product specification without prior notice.

Domus Ventilation

Block C, Van Court
Caerphilly CF83 3ED
United Kingdom

Email: vent.info@domusventilation.co.uk
Tel: 03443 715 523

www.domusventilation.co.uk

