

# Duplexvent DV65 Entro-V

Up to 242 m<sup>3</sup>/h air volume @100 Pa



## KEY FEATURES

- Domestic and residential heat recovery ventilation
- Thermal efficiency capabilities of 85% and above
- 2x ISO ePM Coarse 55% (G4) filters as standard with an extra supply air filter location for an optional ISO ePM1 60% (F7) - ISO 16890 compliant
- Compact design
- Suitable for vertical mounting (kits included as standard)
- Easy filter change with no tools needed
- Choice of spigot locations (top entry as standard)
- Suitable for left- and right-hand configurations
- Complies with Building Regulations
- SAP eligible
- 2 year warranty+

**A+**

Based on average climate with a local demand control

## Duplexvent DV65 Entro-V

The DV65 Entro-V is a compact and efficient top entry MVHR unit, capable of recovering over 85% of the wasted heat.

The unit is made from galvanised steel, white powder coated casing with 20 mm EPP insulation which provides a great level of air tightness, thermal efficiency and sound absorption. DV65 has low energy EC fans with backward curved impellers that minimise the unit's energy consumption with a quiet operation and low specific fan power, achieving an 'A+' energy efficiency.

The unit has an easy to clean and maintain plastic counterflow heat exchanger which prevents the airstreams from mixing. In addition, the unit is designed with a double filter facility that comes with two ISO Coarse 55% (G4) filters as standard with an optional ISO ePM1 60% (F7) pollen filter which provides additional protection against invisible, harmful particles creating an ultra-hygienic environment. ISO ePM Coarse 55% (G4) and ISO ePM1 60% (F7) can be used in conjunction with each other on supply air side.

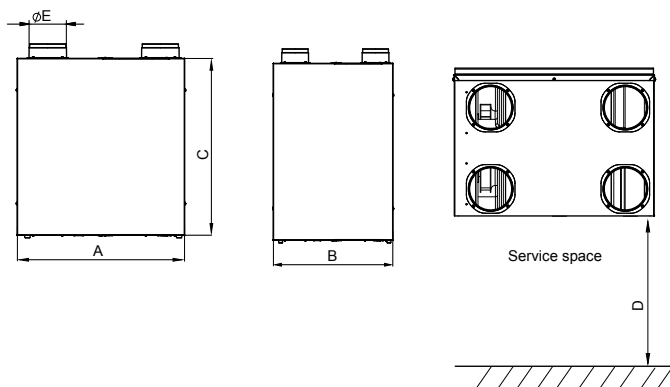


## TECHNICAL DATA

| Specification                                      | DV65 Entro-V  |
|--|---|
| Air flow m <sup>3</sup> /h / l/s @100Pa            | 242 / 67.2  |
| For dwelling floor area up to (m <sup>2</sup> )    | 116   |
| Reference dwelling                                 | 3 bed house   |
| Thermal efficiency %                               | 84 - 88   |
| Heat exchanger                                     | Counterflow (Plastic)                                 |
| SEC class  | A+  |
| Electrical supply                                  | 230V / 1ph / 50Hz                                     |
| Max power consumption (W)                          | 100   |
| Sound level @ 3m (dB(A))                           | 32 - 43   |
| Specific Power Input (SPI) (W/(m <sup>3</sup> /h)) | 0.295   |
| Fans   | EC  |
| Electric heater (optional) (W)                     | 2 x 50  |
| IP classification                                  | IP54  |
| Weight (kg)  | 45  |
| Dimensions (L x D x H) (mm)                        | 580 x 430 x 690                                       |
| Controls   | 4-speed manual controller Optional digital controller |
| Duct diameter (mm)                                 | 160   |
| Condensate discharge (mm)                          | 1/2 inch BSP  |
| Summer Bypass damper                               | 100% Automatic  |
| Frost protection                                   | Yes   |
| Filter class*                                      | ISO Coarse 55% (G4), optional ISO ePM1 60% (F7)       |
| Optional BMS Connectivity                          | Communication through I2C - Modbus                    |
| Casing   | Galvanised steel. Powder paint. (20 mm insulation)    |
| Mounting   | Wall, Floor   |
| Orientation of unit                                | Right or Left-handed                                  |
| Part Number  | <b>90001243</b>                                       |

\*Complies with ISO 16890

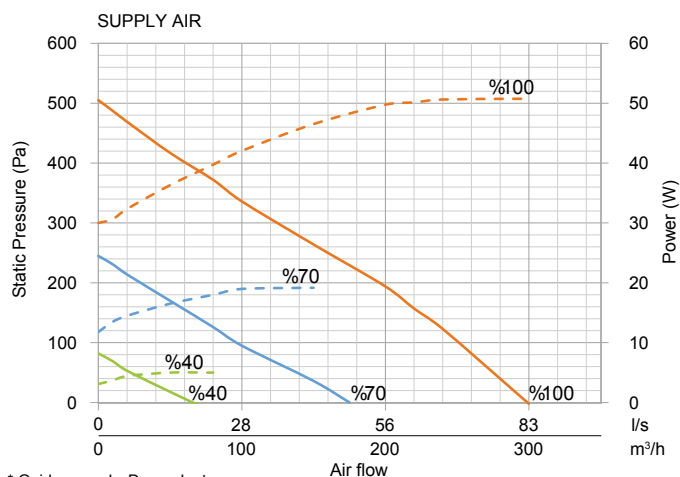
## DIMENSIONS



+ excludes motors. Motor warranty one year from date of purchase

| Model | A   | B   | C   | D   | E   |
|-------|-----|-----|-----|-----|-----|
| DV65  | 580 | 430 | 690 | 400 | 160 |

## PERFORMANCE



\* Guidance only. Dependant upon system pressure.

## SAP RESULTS

Systems with rigid ductwork only SAP 2005 results

| Exhaust terminal configuration   | Specific Fan Power (W/l/s) | Thermal efficiency (%) |
|----------------------------------|----------------------------|------------------------|
| Kitchen + 1 additional wet room  | 1.12                       | 81                     |
| Kitchen + 2 additional wet rooms | 1.02                       | 81                     |
| Kitchen + 3 additional wet rooms | 1.04                       | 81                     |
| Kitchen + 4 additional wet rooms | 1.14                       | 81                     |
| Kitchen + 5 additional wet rooms | 1.28                       | 80                     |

Systems with rigid ductwork only SAP 2012 results

| Exhaust terminal configuration   | Specific Fan Power (W/l/s) | Thermal efficiency (%) |
|----------------------------------|----------------------------|------------------------|
| Kitchen + 1 additional wet room  | 1.07                       | 81                     |
| Kitchen + 2 additional wet rooms | 1.12                       | 81                     |
| Kitchen + 3 additional wet rooms | 1.24                       | 81                     |

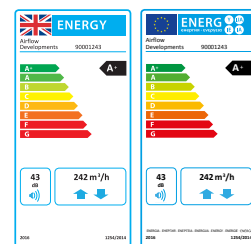
## ACCESSORIES

The following options are available

| Accessory                          | Product Code |
|------------------------------------|--------------|
| Entro-V digital controller         | 90001299     |
| Entro-V basic controller           | 90001308     |
| DV65 Entro-V ISO Coarse 55% (G4)   | 90001323     |
| DV65 Entro-V ISO ePM1 60% (F7)     | 90001326     |
| DV65 & DV82 Entro-V heater 0,5 kW  | 90001335     |
| DV65 & DV82 Entro-V heater 1 kW    | 90001336     |
| DV65 & DV82 Entro-V heaters 1,5 kW | 90001337     |
| DV65 & DV82 Entro-V heater 2 kW    | 90001341     |

## ErP RATING

The DV65 Entro-V meets requirements set out by the Energy Related Products (ErP) Directive 2016, achieving an A+ rating. You can find out more about the ErP Directive and find the DV65 Fiche and Label at [www.airflow.com](http://www.airflow.com) Label 90001243

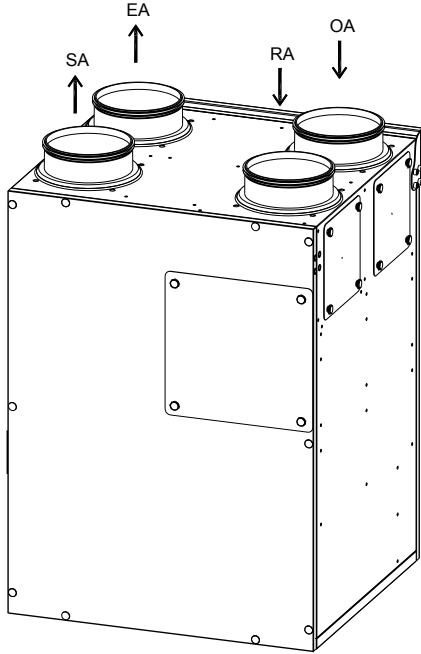


# Duplexvent DV65 Entro-V

Up to 242 m<sup>3</sup>/h air volume @100 Pa

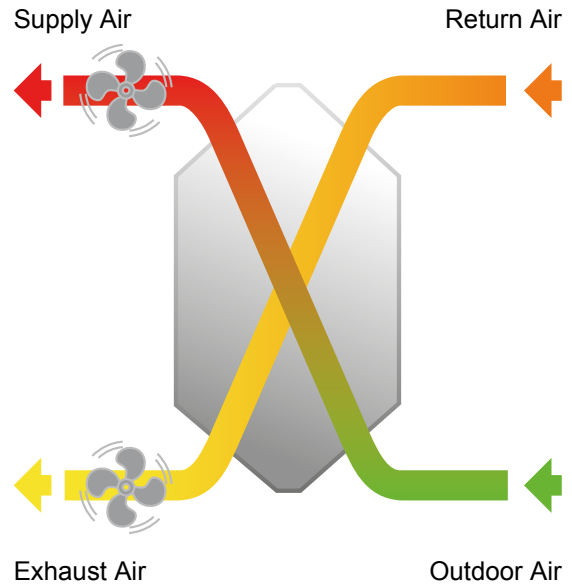
## UNIT CONFIGURATION

The unit is supplied as a right-handed version as standard.



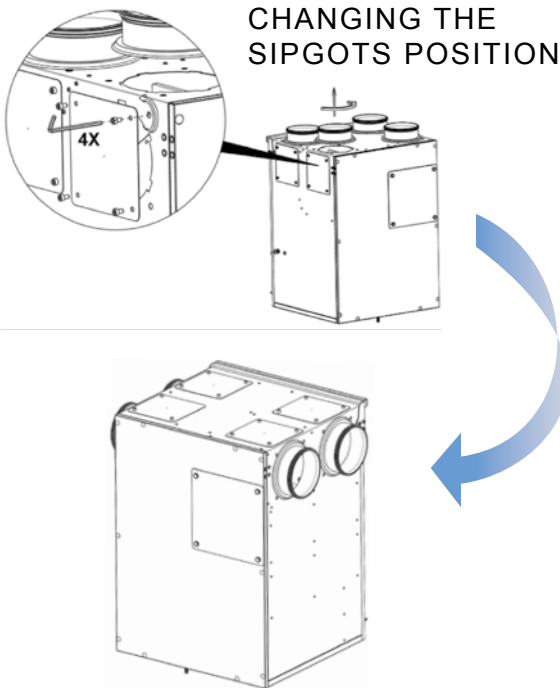
OA = Outside Air  
SA = Supply Air  
RA = Return Air  
EA = Exhaust Air

## HEAT EXCHANGER DIAGRAM



## INSTALLATION

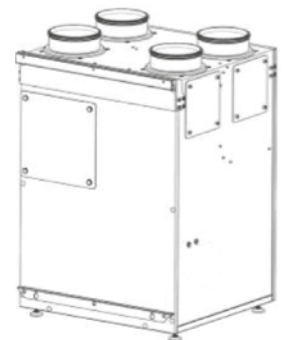
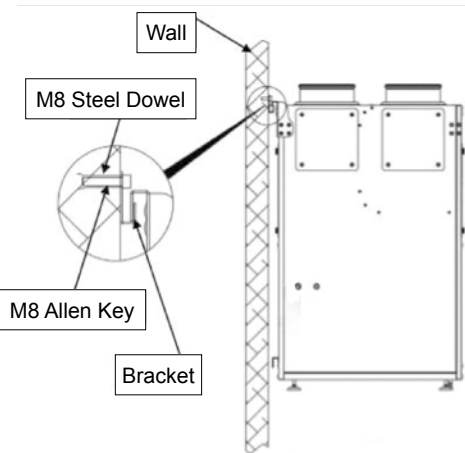
The units can be installed in vertical mounting positions, on the wall or on the floor. Hanging brackets, screws and feet are supplied with the unit. Also, the unit has interchangeability of spigots position from top to the sides.



CHANGING THE SIPGOTS POSITION

INSTALLATION ON THE WALL

INSTALLATION ON THE FLOOR



## SOUND DATA

Sound Pressure Level @1,5 m  
(%100 fan speed @100Pa external pressure)

| Model        | dB@ 63Hz | dB@ 125Hz | dB@ 250Hz | dB@ 500Hz | dB@ 1kHz | dB@ 2kHz | dB@ 4kHz | dB@ 8kHz | Total [dBA] |
|--------------|----------|-----------|-----------|-----------|----------|----------|----------|----------|-------------|
| DV65 Entro-V | 35,7     | 37,5      | 37,1      | 36,5      | 35,2     | 31,2     | 18,0     | 14,5     | 39,1        |

Sound Pressure Level @3 m  
(%100 fan speed @100Pa external pressure)

| Model        | dB@ 63Hz | dB@ 125Hz | dB@ 250Hz | dB@ 500Hz | dB@ 1kHz | dB@ 2kHz | dB@ 4kHz | dB@ 8kHz | Total [dBA] |
|--------------|----------|-----------|-----------|-----------|----------|----------|----------|----------|-------------|
| DV65 Entro-V | 28,6     | 30,4      | 30,0      | 29,4      | 28,1     | 24,1     | 10,9     | 7,4      | 32,0        |

## CONTROL OPTIONS

The unit can be controlled by one of the following:

- Basic controller
- Digital controller
- Modbus through a PC or a central automated unit
- Additional external sensors achieving on-demand ventilation
- Switched live signal from light/remote switches








## BASIC CONTROL

A basic controller compatible with the DV65 Entro-V unit allows multiple standard functions such as:

- 3 fan speed control
- Boost function
- Free cooling via the by-pass actuator
- Frost protection based on input signals from humidity and temperature sensors
- Modbus function
- Faults indicator
- Filter maintenance reminder
- Fire alarm function
- Child-proof protection locks/unlocks the buttons providing extra safety



Basic controller user-interface

|   |   |   |   |
|---|---|---|---|
|  | <b>Low fan speed</b><br>e.g. background ventilation                   |  | <b>Control button to increase the fan speed</b> |
|  | <b>Medium fan speed</b><br>e.g. everyday running rate                 |  | <b>Control button to decrease the fan speed</b> |
|  | <b>High fan speed</b><br>e.g. when cooking or showering               |  | <b>Filter reminder / Error display LED</b>      |
|  | <b>Boost</b><br>increased occupants in dwelling; purging the dwelling |   |   |

## DIGITAL CONTROL

A digital controller also provides:

- Optional separate fan control for ease of commissioning
- Weekly ventilation programming allows users to pre-set the ventilation levels scheduled for different days
- Screen brightness and contrast settings
- Optional humidity or air quality sensors enable automatic boost control
- Indoor temperature control based on room, extract or supply air temperature
- Real time performance graphics



Call: 01494 525252

Visit: [airflow.com](http://airflow.com)



**Airflow Developments Limited**  
Aidelle House, Lancaster Road,  
Cressex Business Park,  
High Wycombe, Buckinghamshire,  
United Kingdom, HP12 3QP

E-mail: [info@airflow.com](mailto:info@airflow.com)  
Telephone: +44 (0) 1494 525252

[airflow.com](http://airflow.com)

© Airflow Developments Limited. Airflow Developments Limited reserve the right, in the interests of continuous development, to alter specifications without prior notice. All orders are accepted subject to our conditions of sale which are available on request



80000990 - Issue2 03 /22